

PUSH/PULLER 8/12 TONS A **THREE-IN-ONE** TOOL



www.ntn-snr.com



With You

Easy and safe to remove bearings and sleeves using either their outer or inner edges

PUSH / PULLER Your benefits

- Time saving: three-in-one design reduces preparation, tool-reset time and duration of operation.
- Service life: the built-in safety valve ensures the tool is always operated according to the rated pressure.
- Safe: the built-in safety valve prevents the user from hurting himself and any damage to the tools or environment.

No risks of jaw sliding off during inner pulling operation due to the self-centering design.

APPLICATIONS

ideal for fitting and removing a wide variety of press-fit parts, including bushings, wheels, bearings, gears and pulleys.



Pushing



Outer pulling

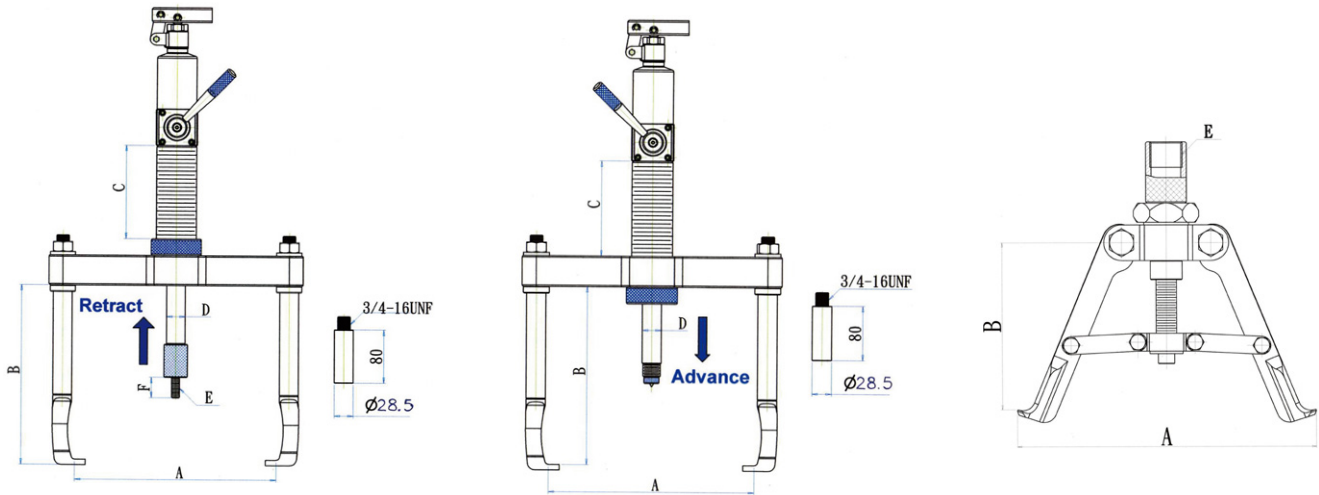


Inner pulling



TECHNICAL INFORMATION

- A double-acting pump body to provide pushing and pulling force.
- Extension bars can be used where necessary for extra reach.



Product	Operations	Output t	A mm	B mm	C mm	D mm	E	F mm	Weight kg
TOOL PUSH/PULLER 8/12 TONS	Pushing	8	44-280	270	140	28	M12-P1.75	30	19.5
	Outer pulling	12	85-300	260	140	28	-	-	
	Inner pulling	8	110-210	130-150	-	-	1" -12UNF	-	

More information on our range: www.ntn-snr.com/services

Distributed by:

This document is the exclusive property of NTN-SNR ROULEMENTS. Any total or partial reproduction hereof without the prior consent of NTN-SNR ROULEMENTS is strictly prohibited. Legal action may be brought against anyone breaching the terms of this paragraph.

NTN-SNR ROULEMENTS shall not be held liable for any errors or omissions that may have crept into this document despite the care taken in drafting it. Due to our policy of continuous research and development, we reserve the right to make changes without notice to all or part of the products and specifications mentioned in this document.

© NTN-SNR ROULEMENTS, international copyright 2018.