

**NTN-SNR AT THE MOTEK TRADE SHOW IN STUTTGART  
FROM 06<sup>TH</sup> TO 09<sup>TH</sup> OCTOBER 2014  
(GB)**

**NTN-SNR AUF DER MESSE MOTEK IN STUTTGART  
VOM 06. BIS 09. OKTOBER 2014  
(D)**

**PRESS RELEASE  
INNOVATION AND PARTNERSHIPS, NTN-SNR: AN INNOVATIVE ACTOR ON THE LINEAR GUIDANCE TECHNOLOGY SCENE.....3**

**I. 3 INNOVATIONS IN THE AREA OF LINEAR GUIDANCE TECHNOLOGIES AT THE MOTEK TRADE FAIR.....4-5**

**II. LINEAR CENTER, A COMMERCIAL PARTNER WITH SUBSTANTIAL MERITS .....6**

**III. NTN-SNR, AN INTERNATIONAL PLAYER IN THE AREA OF LINEAR GUIDANCE TECHNOLOGIE.....7**

**IV. NTN-SNR LINEAR MOTION: NEW AXIS GENERATION- EASY HANDLING IN THE HEAVY LOADOPERATIONS.....8-11**

**V. PICTURES ON THE CD .....22**

**PRESSEMITTEILUNG  
INNOVATION UND PARTNERSCHAFTEN, NTN-SNR EIN INNOVATIVER AKTEUR AUF DEM PARKETT DER LINEARTECHN..... 13**

**I. 3 INNOVATIONEN IM LINEARTECHNIKBEREICH AUF DER MOTEK.....14-15**

**II. LINEAR CENTER, VERTRIEBSPARTNER MIT HOHEN VERDIENSTE.....16**

**III. NTN-SNR, EIN INTERNATIONALER AKTEUR AUF DEM GEBIET DER LINEARTECHNIK.....17**

**IV. NTN-SNR LINEAR MOTION: NEUE GENERATION AXS - EASY HANDLING FÜR SCHWERE LASTEN.....18-21**

**V. BILDER AUF DER CD .....22**



Validated for edition:  
Agnes Meierhenrich  
E-Mail: agnes.meierhenrich@ntn-snr.de  
Annecy, 11/12/2014  
Signs: 827, Page: 1

## **INNOVATION AND PARTNERSHIPS, NTN-SNR: AN INNOVATIVE ACTOR ON THE LINEAR GUIDANCE TECHNOLOGY SCENE**

**NTN-SNR will present an innovative linear technology and a new calculation programme for the design of guiding rails at the Motek trade fair to be held in Stuttgart from 5 to 9 October 2014. These innovations represent a further widening of the already extensive range of linear technologies provided by NTN-SNR. Established in Bielefeld, the Lead Center Linear Motion of the NTN-SNR group can benefit from synergies with NTN Corporation, the world's third largest bearing manufacturer, which gives it additional innovation capabilities. A worldwide distribution and product support network ensures direct contact with users at all times. NTN-SNR is thus a key partner and player on the growing world market of linear technology.**

## I. 3 INNOVATIONS IN THE AREA OF LINEAR TECHNOLOGIES AT THE MOTEK TRADE FAIR

Following on from the linear motor module presented last year in Hanover, the NTN-SNR stand at Motek will be presenting several other innovations, including the AXF100 linear module specially designed for the food industry, and the new versions of the AXS range for automation. Alongside this, NTN-SNR will present its new calculation program for linear guidance design dimensions.

- **AXS**

NTN-SNR presents recently developed axes for telescopic and gantry axis. These two new products will be presented for the first time at Motek 2014. The AXS280TV telescopic axes can attain speeds of up to 10 m/s (compared with previous solutions which hitherto only achieved 3.6 m/s). Thanks to their particularly compact design, they are also suitable for very heavy loads. A pneumatic counterweight available as an option considerably reduces the directly applied load, significantly increasing the service life of the axis. The new AXS280Y is a gantry axis with a new more compact design that accepts single parts of up to 10 m in length, thereby offering economic and attractive solutions.

- **AXF100**

Our new range of AXF100 products has been developed for applications in highly specialised domains such as medicine, the pharmaceutical industry and the agri-food sector. Different moisture penetration classifications are available, including a model that can be applied directly in the food sector. All the materials used comply with FDA (Food and Drug Administration) regulations. The AXC100, a standard model also developed recently, will complete the series between the 80 and 120 mm dimensions in the AXC product range. This new model is available with the same options as the other AXC dimensions: choice of linear guides or roller guides and toothed belts or ball screws.

- **The calculation program**

Thanks to our new calculation program, NTN-SNR can carry out complex asymmetric calculations in very short time frames. All the actions can be seen directly on the screen through an interactive process that gives the user added security. NTN-SNR will be presenting the performance of this software at Motek. A customer version will soon be available on our website, enabling customers to carry out the calculations themselves and discuss them with the NTN-SNR application engineers.

- **Innovation and know-how in the R&D department**

These innovations are the result of an ambitious development programme set up by NTN-SNR in the area of linear guidance technology, which is based in particular on close collaboration with the other R&D centres of the NTN-SNR Group in Annecy and Japan. The Lead Center Linear Motion in Bielefeld (Germany), which is in charge of the strategy, supports NTN-SNR's customers the world over by personalising their linear solutions. The tailored solutions resulting from this strategy respond optimally to the major demands of our customers.

## **II. LINEAR CENTER, A COMMERCIAL PARTNER WITH SUBSTANTIAL GAINS**

- **Certified partners**

For about a year now, NTN-SNR has been developing a concept called "Linear Center". This consists in certifying - in predefined areas - important commercial partners who comply with various instructions specific to NTN-SNR, and in rewarding them by attributing a label. The Motek trade fair provides a platform for welcoming the Linear Center and its customers into the NTN-SNR fold. Our Linear Center stands out thanks to sound knowledge of the market, an optimised stock and the know-how necessary to adapt tailored products produced in small series. This generally results in greater customer proximity and enhanced responsiveness for our company. Thanks to this win-win partnership, NTN-SNR is able to develop its market by adapting to the needs of the customers. The Linear Centers can thus count on a premium brand with marketing as well as technical assistance that are also beneficial for their own development.

### III. NTN-SNR, AN INTERNATIONAL PLAYER IN THE AREA OF LINEAR GUIDANCE TECHNOLOGIES

- The performance of an international group

The official introduction of the Linear Center concept (throughout Europe) reflects NTN-SNR's ambition to boost its international development on the linear guidance technology market. Our structure as a global group gives us the possibility of positioning ourselves as an international player at the core of the linear guidance technology market, from planning and top-quality manufacturing through to product support and maintenance services. NTN-SNR has set itself the goal of substantially increasing its sales in linear guidance technologies in the coming years on this continuously growing market that is worth 3.5 billion euros.

- A specific linear module for each industrial application

Today, NTN-SNR has one of the widest product offerings on the linear technology market. In the field of linear modules, we cover all the usual market segments with the dimensions we propose, from 40 to 460 mm cross section for the AXC, AXDL and AXS product lines. Our offering is supplemented by rolled and ground ball screws with outside diameters of from 4 to 80 mm and ball bushings with outside diameters ranging from 3 to 80 mm.

In addition, NTN-SNR offers a full range of standard and miniature linear guides. The programme is divided into conventional profile rail guides, and ball chain version, highly demanding in terms of technology. The two versions offer numerous application possibilities, and NTN-SNR proposes solutions for diverse industrial uses. Assembly lines, machine tools, food or packaging industry, etc. A tailored solution can be rapidly devised and implemented by the NTN-SNR engineering department. Rapid development of linear guidance systems allows NTN-SNR to inform the market continually about new developments and improvements. As well as the standard programme, this also concerns necessary options such as lubrication units, cover systems or braking and clamping components.

## IV. NTN-SNR LINEAR MOTION: NEW AXS GENERATION- EASY HANDLING IN THE HEAVY LOAD OPERATIONS

**The NTN-SNR linear axes of the AXS series supplement the entire product range of our linear modules and provide solutions for various handling and automation tasks in the heavy load operations.**

Since approximately 30 years, NTN SNR has been providing solutions for problems in linear systems. Extensive application know-how and project-oriented engineering ensure quick and customised solutions.

The large multitude and flexibility facilitates a quick component selection for the implementation of individual and commercial customer requirements. Linear modules of the AXS series can be combined with each other or with other products of our AXC and/or AXDL series and be delivered as a complete system. Our application engineers support our customers in planning the system and selecting the modules such that individual modules or multi-axis systems can be selected precisely according to the customer requirements and the application. For this, we use the latest calculation tools that deliver quick and accurate results

### ▪ Components of the AXS system program

The AXS system program comprises telescope axes, lifting axes and gantry axes. Thanks to the flexible configuration option (assembly system), the users can individually modify the standard linear modules for the corresponding applications. In this case, a complete handling system including gears, motors, energy chains, gantry supports, etc. are provided for heavy load applications. Our telescope axes are characterised by a combined drive made up of a toothed belt and a toothed rack. Our modules are equally suitable for vertical as well as horizontal applications even in narrow spaces and can implement speeds up to 10 m/s (horizontal) and up to 3.6 m/s (vertical). Our innovation AXS280TV allows a maximum speed of 10 m/s even when used vertically. Owing to the transfer of high, dynamic operating forces of the toothed rack drive, our lifting axes are predominantly used in the area of vertical handling in linear and surface gantries. Loads of up to 1000 kg can be moved due to the variable profiles and the rigid design of the profiled rail guides arranged in parallel. The gantry axes are characterised by high load capacities and total lengths up to 10 m (single piece). Longer designs are provided as joint versions. Here, the linear modules with several independent carriage units can be implemented on one axis (Figure 2). Modules with toothed belt drive are especially available for highly dynamic applications. A toothed rack drive is used if high requirements for the rigidity of drive components and large stroke lengths are necessary. All modules of the AXS series can be equipped with a permanent lubrication by the NTN-SNS lubricator or optionally provided with a connection to a central lubrication system.



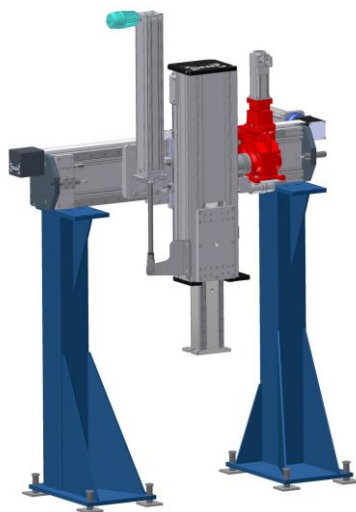
- **Our safety standards**

According to the EN ISO 13849-1 safety standard, system manufacturers are obliged to check and, if required, adapt their products for the adherence to the latest standards. Vertical axes may pose risks to persons due to accidental lowering of the hoisted loads. A holding brake can be used as a redundant element in order to ensure sufficient protection and to reduce the hazard risk. Upon request, NTN-SNR linear modules can be provided with safety brakes or with clamping elements which ensure compliance with the safety requirements for gravity-loaded axes.

- **Our innovations in the AXS program**

We will present our vertical Telescope system of the AXS280TV type for the first time at Motek 2014. This design of the latest generation allows speeds up to 10 m/s for a permissible dynamic operation load of 5000 N in the second guide level and 8940 N in the first guide level. A pneumatic cylinder for load compensation can be used to reduce the drive power significantly and increase the service life. Both the guide levels are driven by the toothed belt in level 2 and the toothed rack drive in level 1.

Owing to the special arrangement of the drive belt (90°), the Y-axis of the AXS280Y type used can offer the option of high ranges of up to 10 meters in gantry axes. Furthermore, the structural design of the AXS280Y provides the option of two movable table units independent of each other. This ensures a maximum flexibility in several applications. Gantry axes can thus be economically optimised through special structural adjustments by using the affordable drive belt solutions.



**Figure 1:** Handling system consisting of the AXS 280Y (Y-Axis) parallel module and the AXS280TV telescope axis (Z-Axis) including NTN SNR gantry supports

- Technical data

Design	<b>AXS280TV</b>
Rail guide code	<b>B</b>
Basic weight [kg]	120.1
Basic weight of the 1st level [kg]	50.8
Weight per 100 mm travel length [kg]	4.3
Carriage mass [kg]	14.8 + Stroke x 0.015
Maximum speed [m/min]	600
Drive element	Toothed rack, module 4 Toothed belt 75AT10
Permissible dynamic operational load [N] (of the toothed belt of the 2nd guide level)	5000
in the 1st guide level	≥8940 3)
Stroke per rotation [mm]	560
Maximum energy consumption [Nm] of the damper	446 (2 x TA-50-22)
Idle torque [Nm] 4)	6
Planar area moment of inertia $I_y$ [cm <sup>4</sup> ]	7958 5)
Planar area moment of inertia $I_z$ [cm <sup>4</sup> ]	14650 5)
Maximum total length [m]	3

Design	<b>AXS280Y</b>
Code for rail design	<b>B</b>
Table length	400
Basic weight	55.3
Weight per 100 mm travel length [kg]	4.6
Carriage mass [kg]	16.3
Maximum speed [m/min]	300
Drive element	Toothed belt 75STD8
Permissible dynamic operational load [N] (of the toothed belt of the 2nd guide level)	5000
Stroke per rotation [mm]	272
Maximum energy consumption [Nm] of the damper	900
Idle torque [Nm] 4)	7
Moment of inertia [kgcm <sup>2</sup> ]	24.3
Planar area moment of inertia $I_y$ [cm <sup>4</sup> ]	7,958
Planar area moment of inertia $I_z$ [cm <sup>4</sup> ]	14,650
Maximum total length [m]	10 (single piece)

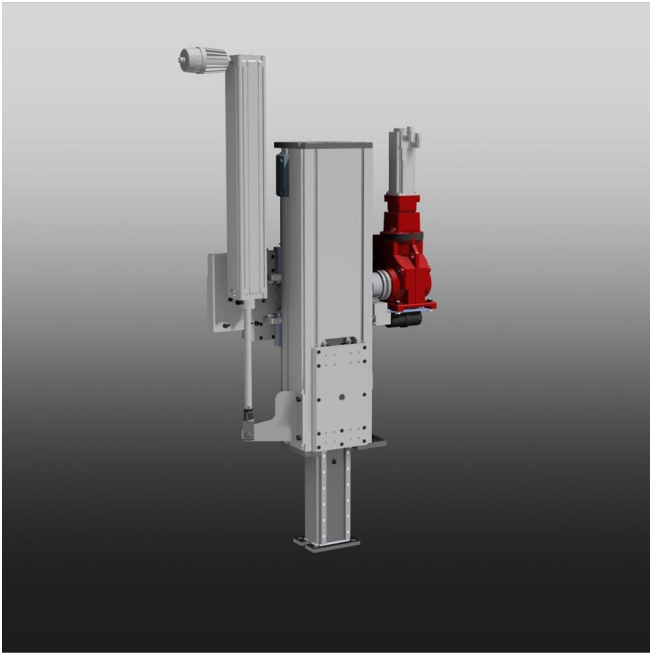


Figure 2: Telescope axis AXS280TV for vertical use



Freigegeben zur Veröffentlichung:  
Agnes Meierhenrich  
E-Mail: agnes.meierhenrich@ntn-snr.de  
Annecy, den 11/12/2014  
Zeichen: 821, Seite: 1

## **INNOVATION UND PARTNERSCHAFTEN, NTN-SNR EIN INNOVATIVER AKTEUR AUF DEM PARKETT DER LINEARTECHNIK**

**NTN-SNR wird auf der Stuttgarter Motek vom 5. bis 9. Oktober 2014 innovative Lineartechnik präsentieren und ein neues Berechnungsprogramm zur Schienenkonzeption vorführen. Diese Innovationen bilden eine neuerliche Erweiterung des bereits sehr kompletten Lineartechnik-Sortiments von NTN-SNR. Das in Bielefeld ansässige Lead Center Linear Motion der NTN-SNR Gruppe kann sich auf Synergien mit der NTN Corporation, dem weltweit drittgrößten Wälzlagerhersteller stützen. Diese bringt ein zusätzliches Maß an Innovationskraft. Ein globales Vertriebs – und Servicenetz sorgt stets für einen direkten Kontakt zu den Anwendern. Somit ist NTN-SNR ein wichtiger Partner und Akteur auf dem globalen Wachstumsmarkt der Lineartechnik.**

## I. 3 INNOVATIONEN IM LINEARTECHNIKBEREICH AUF DER MOTEK

Nach dem im letzten Jahr in Hannover präsentierten Linearmodul mit Linearmotor wartet NTN-SNR in diesem Jahr auf seinem Stand auf der Motek mit mehreren weiteren Innovationen auf: Unter anderem: Das speziell für die Nahrungsmittelindustrie konzipierte AXF100 Linearmodul, oder die neuen Ausführungen der AXS Baureihe für die Automatisierung. Gleichzeitig wird NTN-SNR sein neues Berechnungsprogramm zur Definition von Linearführungen vorführen.

### ▪ AXS

NTN-SNR präsentiert neu entwickelte Portal- und Teleskopachsen. Die beiden neuen Produkte werden auf der Motek 2014 erstmalig vorgestellt. Die AXS280TV Teleskopachsen können Geschwindigkeiten von bis zu 10 m/s realisieren (die bisherigen Lösungen erreichen im Vergleich dazu nur 3,6 m/s). Dank ihrer besonders kompakten Auslegung sind sie auch für sehr hohe Belastungen geeignet. Ein optional verfügbares pneumatisches Gegengewicht dient dazu, die direkt wirkende Last erheblich zu verringern und somit die Lebensdauer der Achse signifikant zu erhöhen. Die neue AXS280Y ist eine Portalachse mit neuem Design und hoher Kompaktheit, die einteilige Längen von bis zu 10 zulässt und somit attraktive kosteneffiziente Lösungen ermöglicht.

### ▪ AXF100

Unsere neue AXF100 Produktlinie wurde für Anwendungen in sehr speziellen Bereichen wie der Medizin, der Pharmaindustrie oder der Nahrungsmittelverarbeitung entwickelt. Es stehen unterschiedliche Klassifizierungen hinsichtlich Feuchtigkeitseintrag zur Verfügung, unter anderem eine Ausführung, welche den direkten Einsatz im Food – Bereich zulässt. Alle verwendeten Materialien sind FDA konform. In einer ebenfalls neu entwickelten Standardausführung füllt die AXC100 die bestehende Lücke in der AXC Serie zwischen den Baugrößen 80 und 120. Diese neue Ausführung ist mit den gleichen flexiblen Elementen wie andere AXC-Baugrößen verfügbar: Wahlweise Profilschienen- oder Laufrollenführungen sowie Zahnriemen- oder Kugelgewindetrieb.

- **Das Berechnungsprogramm**

Dank eines neuen Berechnungsprogramms ist NTN-SNR in der Lage, innerhalb kürzester Zeit komplexe und asymmetrische Berechnungen durchzuführen. Alle Maßnahmen sind direkt am Bildschirm sichtbar und bieten dem Nutzer mit diesem interaktiven Verfahrensablauf Sicherheit. NTN SNR präsentiert die Leistung der Software auf der Motek. Eine Kundenversion wird schon bald auf unserer Website zur Verfügung stehen und Berechnungen können dann von unseren den Kunden selbst vorgenommen werden und mit den NTN-SNR Anwendungsingenieuren besprochen werden.

- **Innovation und Know-how in der Entwicklungsabteilung**

Diese Innovationen sind das Ergebnis eines ehrgeizigen Entwicklungsprogramms, das NTN-SNR im Bereich der Lineartechnik umgesetzt hat und das sich insbesondere auf eine enge Zusammenarbeit mit den anderen Entwicklungszentren der NTN-SNR Gruppe in Annecy und in Japan stützt. Das für die Strategie verantwortliche Lead Center Linear Motion in Bielefeld (Deutschland) unterstützt die NTN-SNR Kunden global bei der individuellen Ausgestaltung Ihrer Lineartechnik-Lösungen. Die aus dieser Strategie erwachsenden maßgeschneiderten Lösungen erfüllen optimal die hohen Erwartungen unserer Kunden.

## II. LINEAR CENTER, VERTRIEBSPARTNER MIT HOHEN VERDIENSTEN

- **Zertifizierte Partner**

Seit rund einem Jahr entwickelt NTN-SNR das Konzept der sogenannten Linear Center. Dieses besteht darin, wichtige Vertriebspartner in definierten Gebieten, die diverse von NTN-SNR spezifische Prozessvorgaben erfüllen, zu zertifizieren und mit einem Gütesiegel zu belohnen. Die Motek dient als Plattform, um die Linear Center und ihre Kunden an der Seite von NTN-SNR willkommen zu heißen. Unsere Linear Center zeichnen sich durch gute Marktkenntnisse, einen optimierten Lagerbestand und das notwendige Knowhow zur Durchführung maßgeschneiderter Produktpassungen in Kleinserien aus. Hieraus erwächst für unser Unternehmen generell eine größere Kundennähe und verbesserte Reaktivität. Dank dieser Win-Win-Partnerschaft ist das Haus NTN-SNR in der Lage, seinen Markt weiter auszubauen, indem es sich an die Bedürfnisse der Kunden anpasst. Die Linear Center wiederum können auf diese Weise auf eine Premiummarke, sowie technischen und Marketing-Support zählen, die zugleich ihrer eigenen Entwicklung zuträglich sind.



### III. NTN-SNR, EIN INTERNATIONALER AKTEUR AUF DEM GEBIET DER LINEARTECHNIK

- Die Leistungsfähigkeit eines internationalen Konzerns

Die offizielle Einführung dieses Linear Center Konzeptes - Europaweit - spiegelt den Willen des Hauses NTN-SNR wider, seine Entwicklung auf dem Lineartechnikmarkt auf internationaler Ebene voranzutreiben. Unsere globale Konzernstruktur gibt uns zudem die Möglichkeit, zentral von der Planung, über die Premiumherstellung bis hin zum Service- und Wartungsangebot als internationaler Akteur für Lineartechnik aufzutreten. Auf diesem 3,5 Milliarden Euro schweren, durch ein kontinuierliches Wachstum gekennzeichneten Markt hat es sich NTN-SNR heute zum Ziel gesetzt, seinen Lineartechnik-Umsatz in den kommenden Jahren signifikant zu erhöhen.

- Ein spezifisches Linearmodul für jede industrielle Anwendung

NTN-SNR bietet heute eine der breitesten Produktpaletten auf dem Lineartechnikmarkt. Im Bereich Linearmodule decken wir mit unseren Baugrößen alle am Markt üblichen Segmente ab. Verdeutlicht wird dieses durch die verfügbaren Profilquerschnitte von 40 bis 460 mm bei den Produktreihen AXC, AXDL und AXS. Ergänzt wird das Angebot durch gerollte und geschliffene Kugelgewindetriebe mit einem Außendurchmesser von 4 bis 80 mm und Kugelbuchsen mit einem Außendurchmesser von 3 bis 80 mm.

NTN-SNR bietet zudem ein komplettes an Linearführungen mit einer Standard- und Miniaturbaureihe. Das Programm gliedert sich in Profilschienenführungen in vollkugeligter Ausführung, sowie die technisch sehr anspruchsvolle Ausführung mit Kugeltententechnologie. Die Einsatzmöglichkeiten beider Varianten sind vielfältig und NTN-SNR bietet Lösungen für diverse industrielle Anwendungen. Ob Montagelinien, Werkzeugmaschinen, Verpackungs- oder Lebensmittelindustrie – Eine maßgeschneiderte Lösung lässt sich durch die NTN-SNR Anwendungstechnik schnell ausarbeiten und umsetzen. Die Entwicklung im Bereich NTN-SNR Linearführungen schreitet schnell voran, so dass wir hier laufend über Neu- und Weiterentwicklungen berichten können. Das betrifft neben dem Basisprogramm insbesondere auch das notwendige optionale Programm wie zum Beispiel Schmiereinheiten, Abdecksysteme oder Klemm- und Bremsenlemente.

## IV. NTN-SNR LINEAR MOTION: NEUE GENERATION AXS - EASY HANDLING FÜR SCHWERE LASTEN

Die Linearachsen der AXS-Serie ergänzen die Gesamtpalette der Linearmodule von NTN-SNR und stellen Lösungen für diverse Transport- und Automatisierungsaufgaben im Bereich schwerer Lasten dar.

- Die Komponenten des AXS-Systems

Das AXS-Programm umfasst Teleskopachsen, Hubachsen und Achsen für Portale. Aufgrund ihrer flexiblen Konfigurationsmöglichkeiten (System von Unterbaugruppen), können die Nutzer die Standard-Linearachsen für jede Anwendung individuell verändern. Für schwere Lasten kann daher ein komplettes Transportsystem, einschließlich Getrieben, Motoren, Schleppketten und Portalträgern angeboten werden.

Das Antriebssystem der **Teleskopachsen** besteht aus einer Kombination aus Zahnriemen und Zahnstange. Unsere Module eignen sich sowohl für vertikale als auch horizontale Anwendungen, selbst bei eingeschränktem Platzangebot, und erreichen Geschwindigkeiten von bis zu 10 m/s (horizontal) und 3,6 m/s (vertikal). Die neue AXS280TV erreicht selbst bei vertikaler Konfiguration eine Höchstgeschwindigkeit von 10 m/s.

Aufgrund der Übertragung hoher dynamischer Kräfte vom Antrieb auf die Zahnstange werden die **Hubachsen** vorwiegend im Bereich des vertikalen Transports auf linearen Portalen und Flächenportalen verwendet. Dank der variablen Gestaltung der Profile und der Steifigkeit der parallel angebrachten Linearführungen können Massen von bis zu 1000 kg bewegt werden.

Die **Portalachsen** zeichnen sich durch ihre große Tragfähigkeit und durch Gesamtlängen von bis zu 10 m (durchgehend) aus. Längere Modelle werden mit Stoßverbindung angeboten, Linearmodule können auf einer Achse mit mehreren unabhängigen Schlitten (Abb. 2) ausgeführt werden. Für Anwendungen mit hoher Dynamik sind Spezial-Transmissionsmodule mit Zahnriemen lieferbar. Ein Antrieb mit Zahnstange wird bei hohen Anforderungen an die Steifigkeit der Antriebskomponenten und bei großen Hublängen verwendet. Alle Module der AXS-Serie können mit einer Langzeitschmierung von NTN-SNR ausgerüstet werden oder optional mit einem Aufsatz für ein Zentralschmiersystem ausgestattet werden.

- **Neuheiten der Baureihe AXS von NTN-SNR**

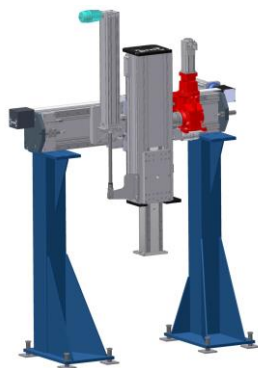
Bei der Messe Motek 2014 stellt NTN-SNR erstmals sein vertikales Teleskopsystem des Typs ASX280TV vor. Dieses Modell der neuesten Generation ist für Fahrgeschwindigkeiten von bis zu 10 m/s unter einer maximalen dynamischen Nutzlast von 5000 N für die zweite Führungsebene und von 8940 N für die erste Führungsebene ausgelegt. Ein Pneumatikzylinder kann zum Lastausgleich zur spürbaren Reduzierung der Antriebsleistung und zur Verlängerung der Lebensdauer verwendet werden. Der Antrieb der zwei Führungsebenen erfolgt mit Zahnriemen für die Ebene 2 und mit Zahnstange für die Ebene 1.

Die Spezialposition des Zahnriemens (90° versetzt) auf der Y-Achse des Typs AXS280Y ermöglicht die Zurücklegung großer Reichweiten von bis zu 10 Metern auf den Portalachsen. Zudem ist die Konstruktion des Modells AXS280Y für zwei Lineartische ausgelegt, die unabhängig voneinander verschiebbar sind. Dies gewährleistet maximale Flexibilität in zahlreichen Anwendungen. Die Spezialbearbeitung der Achsenkonstruktion für Portale stellt in wirtschaftlicher Hinsicht aufgrund der preisgünstigen Lösung mit Hilfe des Zahnriemens eine Optimierung dar.

Hohe Vielfalt und Flexibilität ermöglichen eine schnelle Auswahl der Komponenten und werden damit individuell und kostensparend allen Kundenanforderungen gerecht. Die Linearmodule der AXS-Serie können untereinander oder mit anderen Produkten unserer Serien AXC bzw. AXDL kombiniert werden, wenn sie als Komplettsystem geliefert werden. Unsere Anwendungsingenieure unterstützen unsere Kunden bei der Ausarbeitung des Systems und bei der Auswahl der Komponenten, so dass individuelle Module oder Systeme mit mehreren Achsen ausgewählt werden, die den Kundenanforderungen und den Besonderheiten der Anwendung präzise entsprechen. Wir verwenden dazu die neuesten Berechnungstools, die sowohl schnelle als auch genaue Ergebnisse liefern.

- **Die Sicherheitsstandards von NTN-SNR**

Entsprechend der Sicherheitsnorm EN ISO 13849-1 sind die Anlagenbauer zur Überprüfung der Konformität ihrer Produkte mit aktuellen Normen und eventuell zu deren Anpassung verpflichtet. Bei den Vertikalachsen kann ein unbeabsichtigtes Absenken der Hublast Gefahren für Personen bergen. Zur Garantie eines ausreichenden Schutzes und zur Minimierung der Gefahr kann eine Feststellbremse in Form eines redundanten Elements vorgesehen werden. Auf Wunsch können die Linearmodule von NTN-SNR mit Sicherheitsbremsen oder Absperrelementen ausgerüstet werden, damit sie den Sicherheitsanforderungen für Achsen entsprechen, die der Schwerkraft ausgesetzt sind.



**Abbildung 1:** Transportsystem bestehend aus Parallelmodul AXS280Y (Y-Achse) und Teleskopachse ASX280TV (Z-Achse), sowie NTN-SNR Portalträger.

▪ Technische Merkmale

Modell	<b>AXS280TV</b>	
Code Führungsschiene	<b>B</b>	
Grundmasse [kg]	120,1	
Grundmasse 1. Ebene [kg]	50,8	
Masse pro 100 mm Hub [kg]	4,3	
Masse des Schlittens [kg]	14,8 + Hub x 0,015	
Maximale Transportgeschwindigkeit [m/min]	600	
Antriebselement	Zahnstange, Modul 4 Zahnriemen 75AT10	
Im Betrieb zulässige dynamische Last [N] (des Zahnriemens der 2. Führungsebene)	5000	
in der 1. Führungsebene	≥8940	3)
Abwicklung der Rolle [mm]	560	
Maximale Energieaufnahme des Stoßdämpfers [Nm]	446	(2 x TA-50-22)
Leerlaufmoment [Nm] 4)	6	
Trägheitsmoment I <sub>y</sub> [cm <sup>4</sup> ]	7958	5)
Trägheitsmoment I <sub>z</sub> [cm <sup>4</sup> ]	14650	5)
Gesamtlänge max. [m]	3	

Modell	<b>AXS280Y</b>	
Code Führungsschiene	<b>B</b>	
Tischlänge	400	
Grundmasse	55,3	
Masse pro 100 mm Hub [kg]	4,6	
Masse des Schlittens [kg]	16,3	
Maximale Transportgeschwindigkeit [m/min]	300	
Antriebselement	Zahnriemen 75STD8	
Im Betrieb zulässige dynamische Last [N] (des Zahnriemens der 2. Führungsebene)	5000	
Abwicklung der Rolle [mm]	272	
Maximale Energieaufnahme des Stoßdämpfers [Nm]	900	
Leerlaufmoment [Nm] 4)	7	
Trägheitsmoment I <sub>y</sub> [cm <sup>2</sup> ]	24,3	
Trägheitsmoment I <sub>y</sub> [cm <sup>4</sup> ]	7.958	
Trägheitsmoment I <sub>z</sub> [cm <sup>4</sup> ]	14 650	
Gesamtlänge max. [m]	10 (durchgehend)	

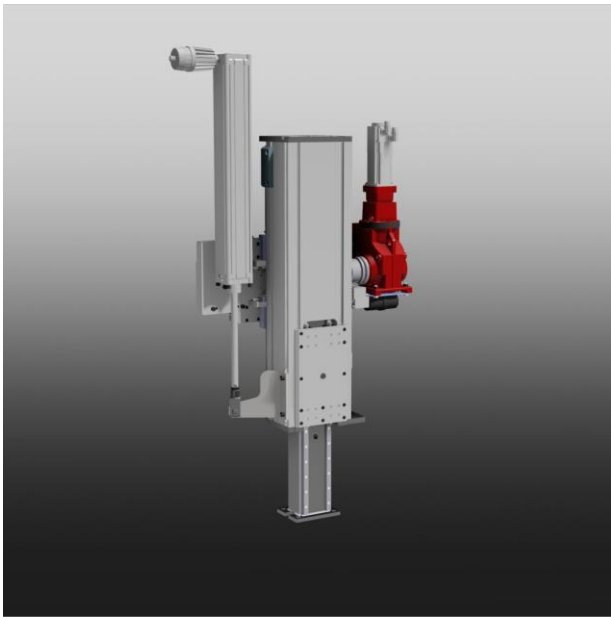


Abbildung 2: Teleskopachse AXS280TV für vertikale Verwendung

V. PICTURES ON THE CD - BILDER AUF DER CD

